

SPECIFICATIONS

Loudspeaker Type:	2-way, full-range, coaxial ceiling loudspeaker
Operating Range:	60 Hz to 18 kHz 80 Hz to 12.5 kHz (± 4 dB)
Max Input Ratings:	200W continuous, 500W program 40 volts RMS, 89 volts momentary peak
Recommended Power Amplifier:	420W to 600W @ 8 ohms
Sensitivity (1W/1m):	95 dB SPL (100 Hz to 13 kHz 1/3 octave bands) 95 dB SPL (250 Hz to 4 kHz speech range)
Maximum Output:	118 dB SPL / 125 dB SPL (peak)
Nominal Impedance:	8 ohms
Minimum Impedance:	4.6 ohms @ 12.4 kHz
Nominal -6dB Beamwidth:	90° H (+10° / -23°, 1.6 kHz to 12.5 kHz) 90° V (+4° / -30°, 1.6 kHz to 12.5 kHz)
Axial Q / DI:	10.7 / 10.3, 1.6 kHz to 12.5 kHz
Crossover Frequency:	2000 Hz
Recommended Signal Processing:	60 Hz high pass filter
Drivers:	LF (1) 12" HF (1) 1" exit, titanium free, Ferrofluid-cooled
Driver Protection:	DYNA-TECH
Input Connection:	Barrier strip
Controls:	Midband attenuator
Enclosure Hardware:	(1) standard ported baffle
Mounting/Rigging Provisions:	(8) mounting points for standard backboxes
Grille:	None
Required Accessories:	24 dB/Oct high pass filter Backbox
Supplied Accessories:	(4) 8/32 screws for mounting baffle to backbox
Optional Accessories:	C12BB3 high density 3.0-cu.ft metal backbox C12SQGRL square white grille RAIL24-PR 23.75-inch channel rails RAIL30-PR 30-inch channel rails RAIL48-PR 47.75-inch channel rails
Dimensions —	
Square Baffle:	14.625" x 14.625" (371.48 x 371.48 mm)
Height:	Depth from back of baffle: 6.938" (176.21 mm)
Weight:	17.2 lbs (7.8 kg)
Shipping Weight:	21 lbs (9.53 kg)

NOTES:

- Sensitivity: Free field pink noise measurement at 40 ft (12.2 m) at 50% power; extrapolated to 1 meter and an input of 2.83 volts RMS.
- Watts: All wattage figures are calculated using the rated nominal impedance.
- All measurements are calculated using a CLOUD1299 ceiling loudspeaker system mounted within a C12BB3 metal backbox.



APPLICATIONS

- Convention centers, exhibit halls
- Corporate training rooms, ballrooms
- Swimming pools, cruise ships
- Athletic venues, sports facilities, health clubs
- Houses of worship
- Malls, airports

FEATURES

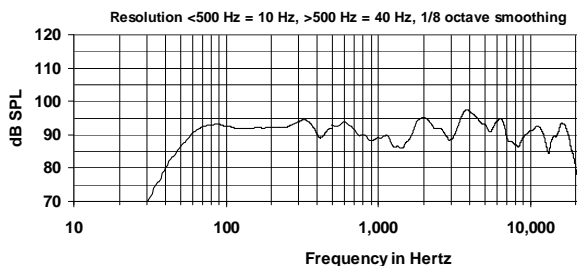
- Rugged 12" cast frame LF driver
- Tuned, ported bass reflex design
- Powerful 200W continuous / 500W program
- Precise pattern control HF horn
- Fast and easy installation
- Built-in protection circuitry
- Selectable midband attenuation
- Smooth, uniform frequency response
- Five-year warranty

DESCRIPTION

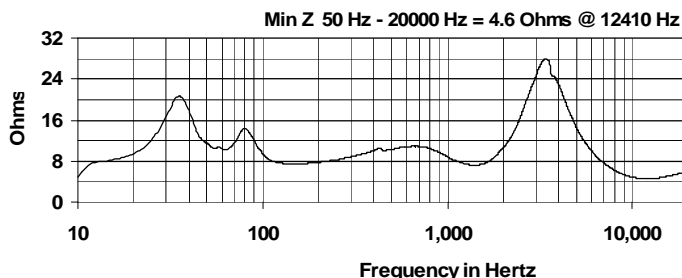
The CLOUD1299 is a powerful coaxial 2-way ceiling loudspeaker assembly with a single 12" cast frame low frequency driver and a 1" high frequency compression driver on a coaxially mounted 90° x 90° pattern control horn. The CLOUD1299 is designed for high ceiling applications requiring higher power handling and low distortion combined with smooth full-range response. CLOUD1299 ceiling systems are mounted on an integral baffle. They are easily matched with industry standard backboxes, grilles and tile bridges. The CLOUD1299 is designed for standard 8 ohm operation.

For applications requiring greater LF output, a 12-inch ceiling subwoofer system is available (model CLOUD12SUB). Optional accessories offered by Community include a high density metal backbox (model C12BB3), an attractive white square grille (model C12SQGRL) and tile bridges of various lengths (models RAIL24-PR, RAIL30-PR and RAIL48-PR).

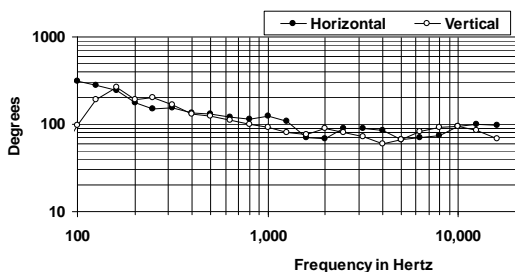
FREQUENCY RESPONSE



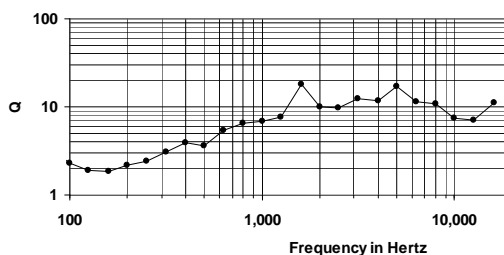
IMPEDANCE



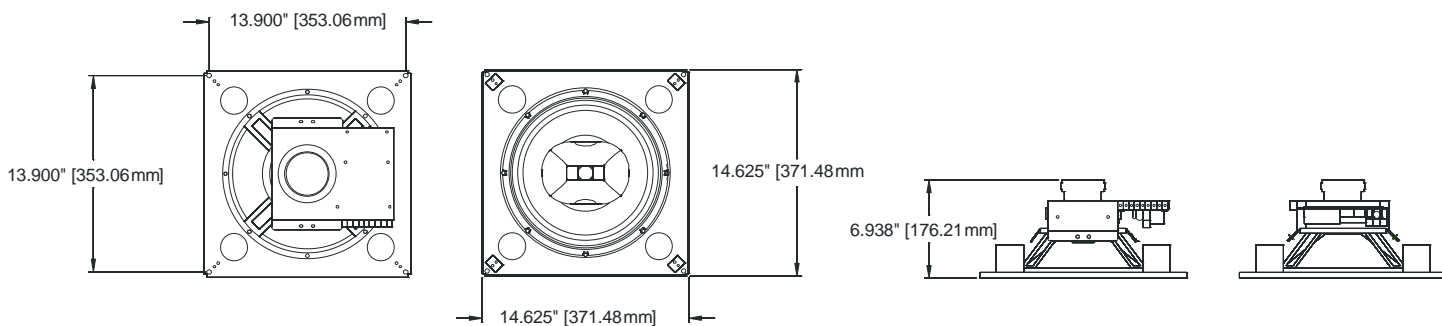
BEAMWIDTH



AXIAL Q



DIMENSIONS



ARCHITECTURAL SPECIFICATIONS

The loudspeaker system shall be a two-way, full-range bass reflex ceiling design with a single cast alloy frame 12" woofer and one 1" exit HF driver coaxially mounted on a 90° x 90° horn. The entire loudspeaker assembly shall be mounted on a black steel baffle. Drivers shall be connected to an integral crossover with a crossover frequency of 2 kHz and integral over-current protection circuitry. Connection is by a screw terminal barrier strip. The system shall have an amplitude response of 80 Hz - 12.5 kHz (+/- 4 dB), input capability of 40 V RMS, 95 dB Sensitivity at one meter and 2.83 V, 8 ohm nominal impedance. The nominal dispersion shall be 90° H x 90° V from 1.6 kHz to 12.5 kHz. The dimensions of the enclosure are defined as 14.625" x 14.625" x 6.938" at a weight of 17.2 lbs.

Community strives to improve its products on a continual basis. Specifications are therefore subject to change without notice.